

# INDUSTRIAL | H-LINE



Chinese

**English**

French

German

Hungarian

Italian

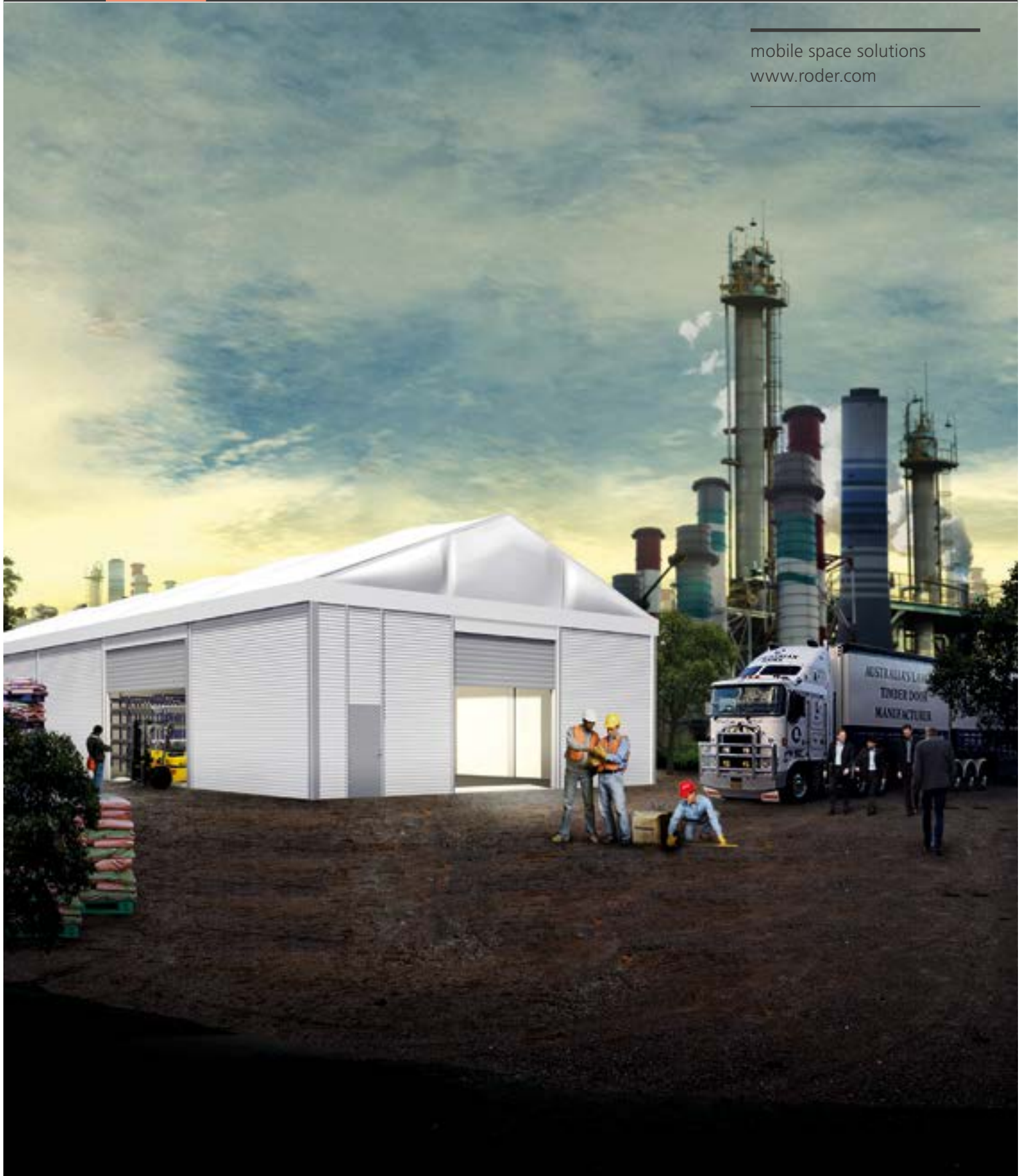
Russian

Slovenian

Spanish

Turkish

mobile space solutions  
[www.roder.com](http://www.roder.com)



# RÖDER INDUSTRIAL REQUIREMENTS & SOLUTIONS

**13.200 m<sup>2</sup>**  
USABLE AREA

**8 Months**  
TIME FRAME

10,0 x 10,0 m S-LINE (6 Pcs.)  
10,0 x 20,0 m S-LINE (6 Pcs.)  
15,0 x 10,0 m S-LINE (4 Pcs.)  
15,0 x 20,0 m S-LINE (8 Pcs.)  
20,0 x 60,0 m S-LINE (7 Pcs.)  
TENT TYPE

Special design of gable for installation of large-scale gate systems  
EQUIPMENT

**Storage solution for glass manufacturing industrial**

**800 m<sup>2</sup>**  
USABLE AREA

**10 Years**  
TIME FRAME

15,0 x 50,0 m S-LINE  
TENT TYPE

Sheet walls, condensation protection by Thermoinsulated tarpaulins  
EQUIPMENT

**Museum „The army of terracotta warriors“ on the island Usedom**

**7.200 m<sup>2</sup>**  
USABLE AREA

**2 Years**  
TIME FRAME

30,0 x 80,0 m H-LINE (3 Pcs.)  
TENT TYPE

Truck ramps  
Gate and door systems  
Facade made of isopanele  
EQUIPMENT

**Goods handling for a logistics center**

**30.000 m<sup>2</sup>**  
USABLE AREA

**3 Years**  
TIME FRAME

50 x 100 m Special design (15 m Side height)  
50 x 105 m Special design (15 m Side height)  
50 x 90 m Special design (15 m Side height)  
S-LINE as garage systems  
TENT TYPE

Special design with 15,0 m side height  
Translucent and opaque Tarpaulin  
EQUIPMENT

**Large covering to the soil cleanup of an environmental service provider in France**

**2.400 m<sup>2</sup>**  
USABLE AREA

**5 Years**  
TIME FRAME

20,0 x 60,0 m T-LINE (2 Pcs.)  
TENT TYPE

Electric rolling gate with escape and entrance door  
EQUIPMENT

**Warehouse in Turkey**

**2.400 m<sup>2</sup>**  
USABLE AREA

**5 Months**  
TIME FRAME

20,0 x 120,0 m S-LINE  
TENT TYPE

Anchor-free setup with ballast  
Hall system installed on moveable rails  
EQUIPMENT

**Bridge covering for rehabilitation work**



## » INCREASE PRODUCTIVITY

With flexible and modular spans, lengths and heights the RÖDER H-LINE adapts to the specific, customer-oriented, space requirements.



## RÖDER INDUSTRIAL | H-LINE

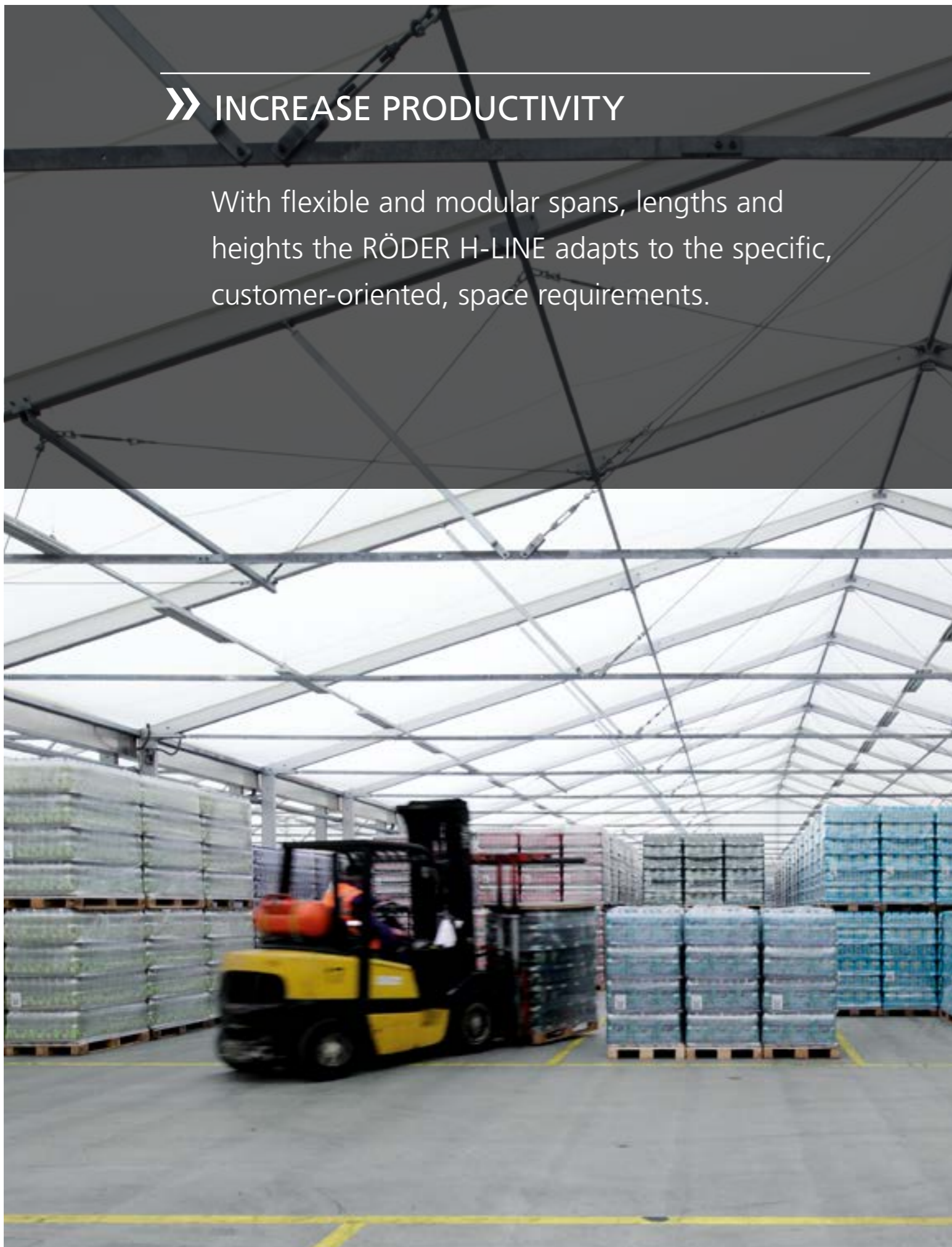
### ECONOMICALLY AND VALUE-ADDING

Service and industrial companies need spaces that fit shapes to meet the specific requirements. Often, fast, economical and flexible solutions are needed.

RÖDER INDUSTRIAL is specialized in the space requirements of services and industrial companies. As experts in mobile and modular hall systems RÖDER group knows the requirements of the particular branches. The warehouse and logistics solution RÖDER H-LINE convinces in both safety and efficiency. Flexible and modular spans, lengths and heights allow for a variety of applications. The simple use of earth or screw anchors, heavy duty anchors, spot or strip footings is sufficient for the installation. Thus, the installation costs reduce.

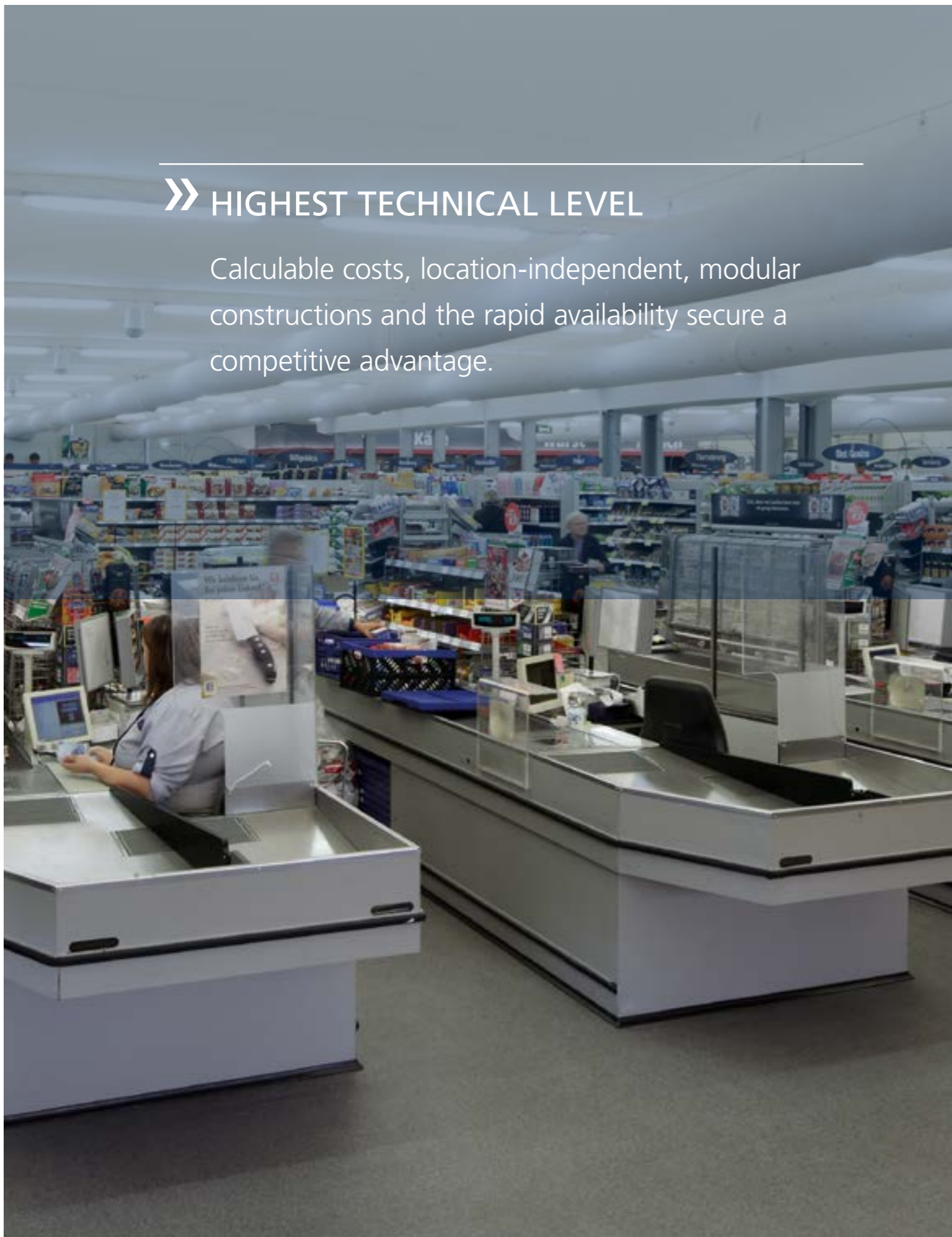
Due to the sustainable mobility and sophisticated design, the system is in contrast to traditional halls quickly mounted and installed at almost any location within a very short time. The refined steel frame is manufactured in a special welding process, which gives the highest stability construction and durability. The special roof with double-walled, air-filled thermal roof cover provides excellent climate, reduced heating costs, prevents condensation, improves snow load and allows you to work in daylight. To complement the individual halls RÖDER Group offers a wide range of accessories. The accessories range from facade elements, as well as specific door and gate systems to floor, heating, air-conditioning and lighting systems.

Come and speak to us in person to find out which Industrial series tent best meets your requirements. The RÖDER team looks forward to helping you find the perfect accommodation!



## » HIGHEST TECHNICAL LEVEL

Calculable costs, location-independent, modular constructions and the rapid availability secure a competitive advantage.



### POSSIBLE APPLICATIONS

**LOGISTIC SOLUTIONS SALES ROOM WORKSHOP  
STORAGE SOLUTION PRODUCTION HUB DEPOT  
MARKET HALL GOODS HANDLING COVERING  
OFFICE SOLUTION STUDIO CONSTRUCTION SITES  
PLANT CONSTRUCTION CLIMATE ZONES COLD  
STORAGE SPEDITION GARAGE ORDER PEAKS OVER  
PRODUCTION OUTSOURCING DISTRIBUTION INDUSTRY**

## EFFECTIVE AND EFFICIENT

The RÖDER H-LINE halls are effective and efficient by the diverse applications that they can be tailored for. The hall system is economically feasible in a very short construction period.



**TEMPORARILY OR  
PERMANENTLY**





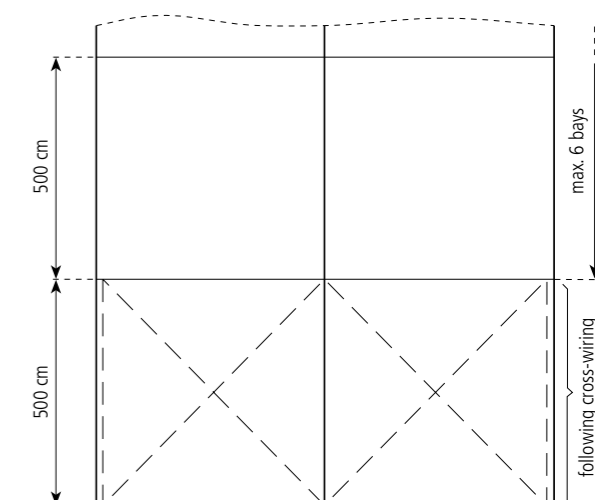
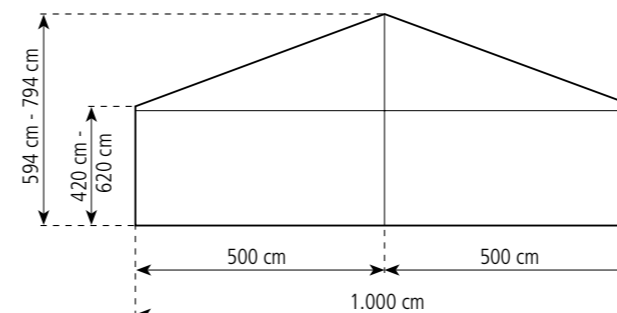
**TECHNICAL DATA**

## INDUSTRIAL HALL | H-LINE

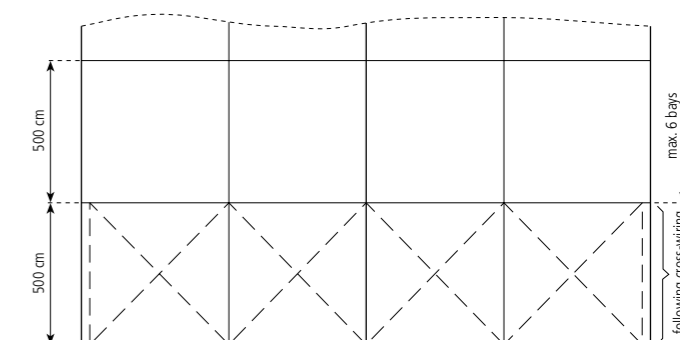
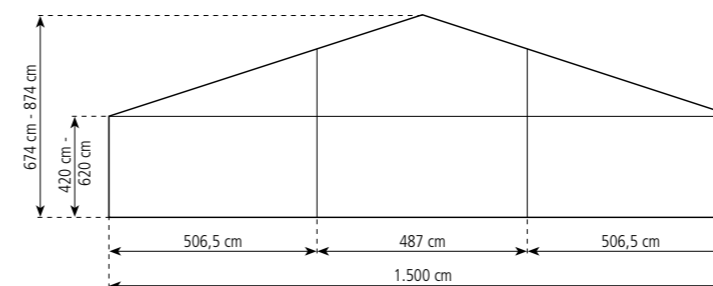
STANDARD VERSION

Span	1.000 cm	1.500 cm
Side height	420 / 520 / 620 cm	420 / 520 / 620 cm
Ridge height	594 / 694 / 794 cm	674 / 774 / 874 cm
Roof pitch	18°	18°
Bay distance / grid	500 cm	500 cm
Longest component	570 / 570 / 670 cm	802 cm
Gable column	1	2
Min. setup length	1.500 cm	1.500 cm
Max. setup length	Expandable with the grid	
Main profile	252 x 122 x 4 mm	
Max. wind speed according to EN	100 km/h	
Snow load	1,31 kN/m <sup>2</sup>	
Tarpaulin	RÖDER No. 1, PVDF coated tarpaulin, according to DIN 18204	
Fixed cladding	<ul style="list-style-type: none"> <li>Trapezoidal sheet metal, galvanized, color-coated, interior protective lacquer</li> <li>ISO Sandwich elements, galvanized steel sheet on both sides (inside and outside), crimped, PU foam filling</li> </ul>	

### H-LINE 1.000/420/594 & 1.000/520/694 & 1.000/620/794



### H-LINE 1.500/420/674 & 1.500/520/774 & 1.500/620/874

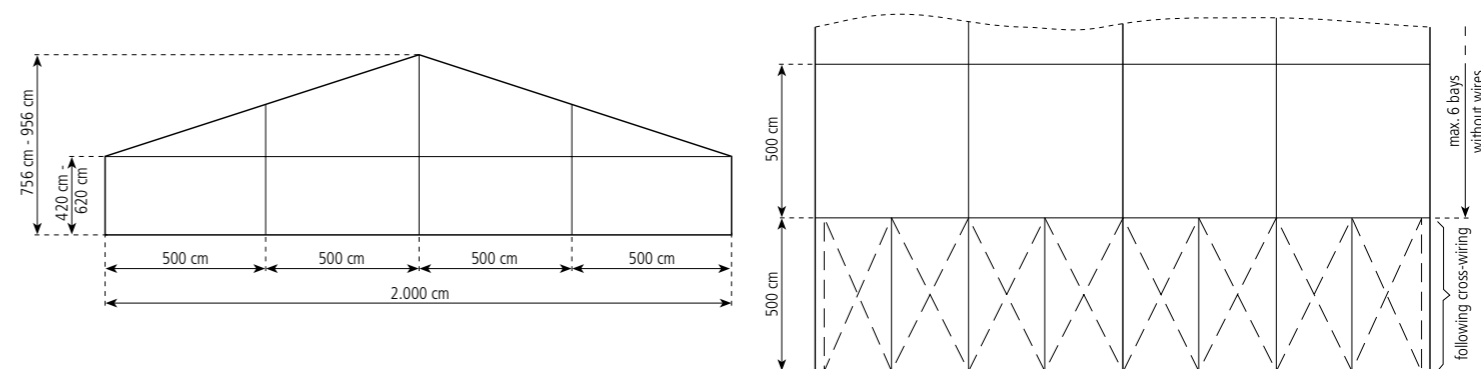


#### QUESTIONS AND COMMENTS

We have provided you with a summary of the main data and measurements of our standard constructions. No guarantee can be made for the accuracy of the information given. We cannot be held liable for printing or spelling errors. We would be happy to meet with you personally to help you find the perfect accommodation to match your requirements. If you have any questions on further measurements, specialist constructions, extensions or remodeling, or if you require further technical data, the RÖDER team will be happy to help.



## H-LINE 2.000/420/756 & 2.000/520/856 & 2.000/620/956



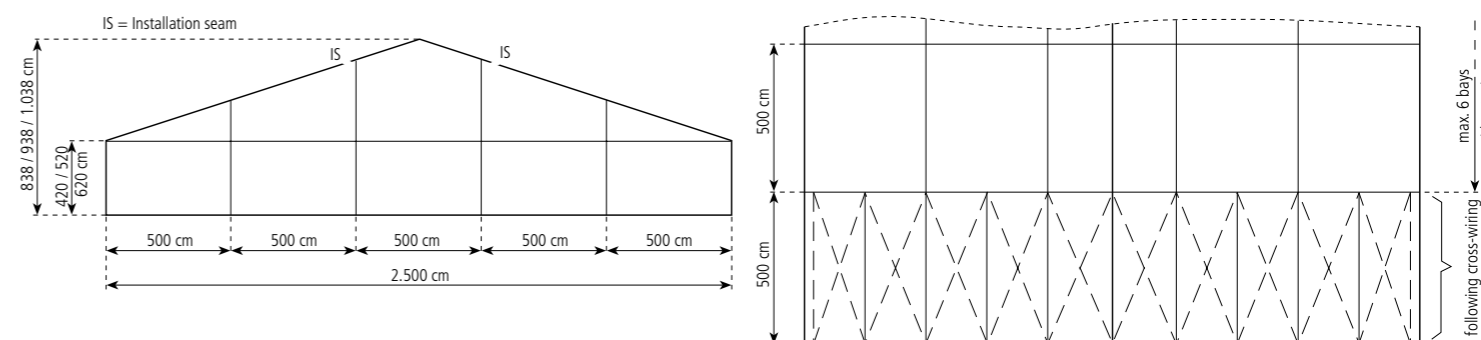
### TECHNICAL DATA

## INDUSTRIAL HALL | H-LINE

#### STANDARD VERSION

<b>Span</b>	2.000 cm	2.500 cm
<b>Side height</b>	420 / 520 / 620 cm	420 / 520 / 620 cm
<b>Ridge height</b>	756 / 856 / 956 cm	838 / 938 / 1.038 cm
<b>Roof pitch</b>	18°	18°
<b>Bay distance / grid</b>	500 cm	500 cm
<b>Longest component</b>	1.075 cm	1.075 cm
<b>Gable column</b>	3	4
<b>Min. setup length</b>	1.500 cm	
<b>Max. setup length</b>	Expandable with the grid	
<b>Main profile</b>	334 x 122 x 8/4,5 mm	
<b>Max. wind speed to DIN</b>	100 km/h	
<b>Snow load</b>	1,31 kN/m <sup>2</sup>	
<b>Tarpaulin</b>	RÖDER No. 1, PVDF coated tarpaulin, according to DIN 18204	
<b>Fixed cladding</b>	<ul style="list-style-type: none"> <li>Trapezoidal sheet metal, galvanized, color-coated, interior protective lacquer</li> <li>ISO Sandwich elements, galvanized steel sheet on both sides (inside and outside), crimped, PU foam filling</li> </ul>	

## H-LINE 2.500/420/838 & 2.500/520/938 & 2.500/620/1.038



### QUESTIONS AND COMMENTS

We have provided you with a summary of the main data and measurements of our standard constructions. No guarantee can be made for the accuracy of the information given. We cannot be held liable for printing or spelling errors. We would be happy to meet with you personally to help you find the perfect accommodation to match your requirements. If you have any questions on further measurements, specialist constructions, extensions or remodeling, or if you require further technical data, the RÖDER team will be happy to help.



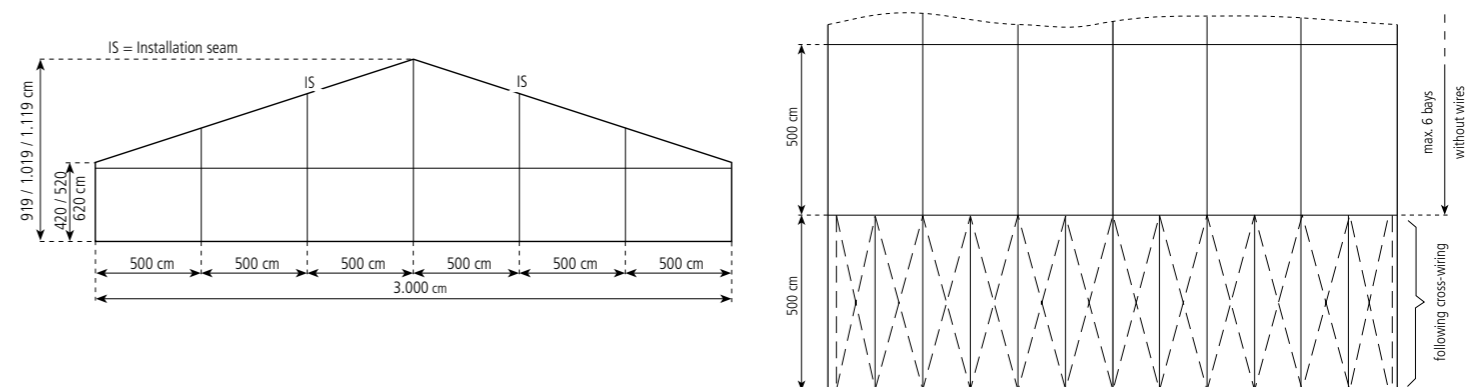
TECHNICAL DATA

# INDUSTRIAL HALL | H-LINE

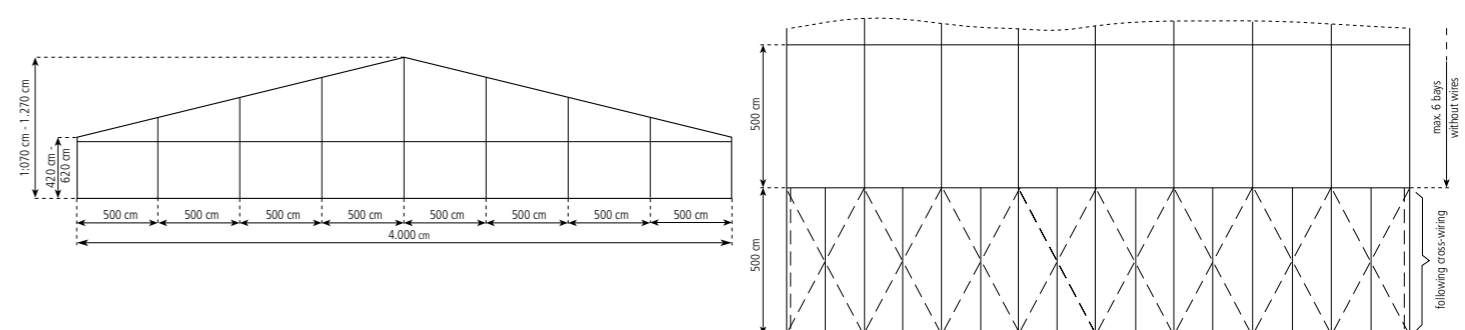
STANDARD VERSION

Span	3.000 cm	4.000 cm
Side height	420 / 520 / 620 cm	420 / 520 / 620 cm
Ridge height	919 / 1.019 / 1.119 cm	1.070 / 1.170 / 1.270 cm
Roof pitch	18°	18°
Bay distance / grid	500 cm	500 cm
Longest component	1.075 cm	1.075 cm
Gable column	5	7
Min. setup length	5.500 cm	5.500 cm
Max. setup length	Expandable with the grid	
Main profile	334 x 122 x 8/4,5 mm	350 x 124 x 10/6 mm
Max. wind speed according to EN	100 km/h	
Snowload	1,31 kN/m <sup>2</sup>	
Tarpaulin	RÖDER No. 1, PVDF coated tarpaulin, according to DIN 18204	
Solid cladding	<ul style="list-style-type: none"> <li>Trapezoidal sheet metal, galvanized, color-coated, interior protective lacquer</li> <li>ISO Sandwich elements, galvanized steel sheet on both sides (inside and outside), crimped, PU foam filling</li> </ul>	

## H-LINE 3.000/420/919 & 3.000/520/1.019 & 3.000/620/1.119



## H-LINE 4.000/420/1.070 & 4.000/520/1.170 & 4.000/620/1.270



### QUESTIONS AND COMMENTS

We have provided you with a summary of the main data and measurements of our standard constructions. No guarantee can be made for the accuracy of the information given. We cannot be held liable for printing or spelling errors. We would be happy to meet with you personally to help you find the perfect accommodation to match your requirements. If you have any questions on further measurements, specialist constructions, extensions or remodeling, or if you require further technical data, the RÖDER team will be happy to help.



## EQUIPMENT FEATURES H-LINE

### FLEXIBLE AND MODULAR

#### ECONOMICAL SYSTEM

Halls of RÖDER H-LINE can be quickly and easily assembled and disassembled by stable and solid connection elements. The sophisticated combination of supporting and connection elements guarantees statically tested high stability. The double-walled, air-filled thermal roof cover provides excellent climate, reduced heating costs, prevents condensation, improves snow load and allows you to work in daylight. Many optional pieces of equipment and tent components can be added to the standard scope of delivery. RÖDER H-LINE solutions flexible and modular.

#### INCLUDED IN DELIVERY

Frame construction with high strength aluminum profiles

White Thermo roof tarpaulin

Pressure unit

Trapezoidal sheet or Sandwich-panels 40 mm as wall cladding

#### SPECIAL EQUIPMENT

Various floor and facade systems

Other facade systems (for example 60 mm iso panels)

Sewage and rain gutter system

Lighting

Heating and air conditioning systems

Truck ramps



#### DESCRIPTION OF FRAME MATERIAL

High strength aluminum profile with four-channel keder system

Steel profiles galvanized

Connection elements made of galvanized steel

Static calculated according to EN 13782 (incl. fixed building standard)

#### DESCRIPTION OF TARPAULIN MATERIAL

RÖDER No. 1, PVC-coated tarpaulins produced in line with DIN 18204

Classified as 'difficult to ignite' by DIN 4102 and EN 13501

Dirt-repellent and light-resistant

Lets daylight through and is UV-resistant

Low-wick coated polyester threads

#### 1. Stability

RÖDER guarantees a high level of stability on almost any terrain.

#### 2. Gutter

The special gutter system allows a continuous usable space when using multiple tents.

#### 3/4. Roof systems

Double-walled, air-filled thermal roof tarpaulins with self-regulating pressure unit

#### 5. Door and gate systems

Doors freely selectable and can be positioned as desired inside of the wall elements.

#### 6. Facade systems

Wallcovering made of single-layer trapezoidal sheet



## TECHNICAL FEATURES

### DECADES OF EXPERIENCE

The RÖDER Group uses only the most qualified staff, the best materials and constantly draws on its decades of experience in the field of temporary accommodation – right from the very start of the construction and production process of the tent and marquee systems. We achieve high customer satisfaction through quality and safety. Continuous and reliable quality management means we can place our trust in the materials we use. The RÖDER Group is certified according to the European standards EN ISO 9001:2008 and EN ISO 14001:2009. All structures are calculated and tested in accordance with the European standard EN 13782.

## DURABLE AND STABLE



#### 1. Construction

The modular design principle allows various types of construction and expansion.

#### 2. Equipment

RÖDER offers many exclusive types of facades and equipment to go with its tent and marquee systems.

#### 3. Logistic

Specialist partners take on the task of transporting the tent and marquee systems. As a trusted and known dispatcher, RÖDER benefits from a fast-track customs clearance process. This guarantees a just-in-time availability worldwide.



#### 4. Production

RÖDER production is respectful to both people and the environment – worldwide.

The anodised aluminium frame is equipped with highly secure profiles and has two- or four-channel keder technology. The sophisticated keder technology makes it possible to expand the tents in many different ways – using the modular design principle. The keder technology also provides protection against bad weather and storms. Highly secure aluminium alloys and galvanized steel guarantee a long-life hold.

RÖDER conducts the planning in line with the minimum quality standards laid down by the DIN 18204 product certification. The long-life RÖDER No.1 tarpaulins are equipped with polyester threads that have a special low-wick and PVDF coating. This increases their resistance against bad weather, prevents dirt building up on the surface and damp getting through. The tarpaulins are classified as 'difficult to ignite' by the standards DIN 4102 and EN 13501, are resistant against fungus and spores (fungicidal), and are UV-proof.

The tents guarantee easy handling as they are quick and easy to set up, do not take up much storage or transport space, and the highly secure aluminium profiles are lightweight. The installation and dismantling of the tents will not demand too much manpower or incur high costs.

## » EXPANSION OPTIONS

By combining with other RÖDER tent and hall systems as well as diverse and variable expansions new and continuous economical usable space arise.



## FULL-SERVICE



TARPAULINS & FACADE SYSTEMS



FLOOR SYSTEMS



STAIRS, BALCONIES, GALERIES & RAILINGS



HEATING & AIR CONDITIONING SYSTEMS



LIGHTING



KITCHEN & SANITARY INSTALLATIONS



INTERIOR, CLADDING & DECORATION



FENCE, SEPARATION & FLAG SYSTEMS

## DIVERSE AND VARIABLE



SECURITY SYSTEMS



DOOR & GATE SYSTEMS

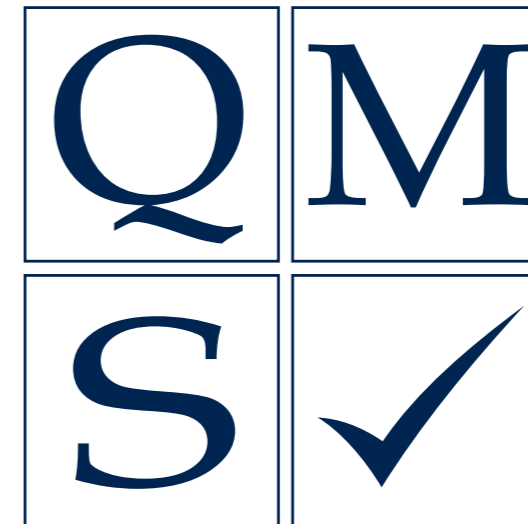


## SUSTAINABLE AND ECOLOGICAL



### BENEFITS AND ADDED VALUE OVERVIEW

**WORK AT DAY LIGHT MODULAR DESIGN**  
**RAPID AVAILABILITY ECONOMICAL**  
**SOLID AND SAFE CONNECTION ELEMENTS**  
**CALCULABLE STORAGE AND TRANSPORT COSTS**  
**EASY AND QUICK INSTALLATION**  
**EXCELLENT VALUE FOR MONEY DIFFERENT SIDE COVERS**  
**FACADES AND FLOOR SYSTEMS**  
**EXCLUSIVE RECONSTRUCTION VARIANTS**  
**EXPANDABLE BY GRID SYSTEM**  
**EXPERT ADVICE IN ALL PHASES OF THE PROJECT**  
**CERTIFIED QUALITY AND SAFETY**  
**EXTENSIVE SERVICE AND SERVICE-SUPPLY OFFER**  
**DIVERSE APPLICATION POSSIBILITIES**  
**MANY YEARS OF EXPERTISE OF QUALIFIED EMPLOYEES**  
**FLEXIBLE AND MODULAR EQUIPMENT**  
**DURABLE AND HIGH QUALITY MATERIALS**  
**A TENT AND HALL SYSTEMS OF RÖDER**  
**ENGINEERED AND MADE IN GERMANY**



**ISO 9001:2008**  
**ISO 14001:2009**  
**REGISTERED FIRM**

## ENGINEERED IN GERMANY

## QUALITY MANAGEMENT

**IN ALL PROCESSES, WE ENSURE THAT THE HIGHEST QUALITY AND SAFETY STANDARDS ARE COMPLIED WITH IN ORDER TO PROTECT OUR CUSTOMERS AND TO OFFER THEM THE BEST-LOOKING PRODUCT WITH THE BEST MATERIALS. THIS IS WHY QUALITY, SAFETY AND DURABILITY ARE FIRM COMPONENTS OF RÖDER'S COMPANY CULTURE.**

In order to optimise production and business processes and to maintain all safety guidelines so as to guarantee product quality and customer satisfaction, the RÖDER Group employs consistent, sustainable and thorough quality management. The concept of our quality management is based on internal and external input. All relevant processes are defined and documented – from the design phase, material selection and project planning right up to when the tent and marquee systems are given to the customers. As a high-end manufacturer, 'Engineered in Germany' and 'Made by RÖDER' is our promise of quality to our customers. Both our design expertise and quality management are therefore pivotal for the success of our products and trust of our customers.

The quality management systems, which are tested and certified in accordance with the **European standards EN ISO 9001:2008** and **EN ISO 14001:2009**, relate to the design, construction, production, sale and hiring out of RÖDER tent and marquee systems. In order to guarantee the quality promised by the RÖDER Group, all members of staff take part in regular external and internal training on quality and safety. All our temporary accommodation is inspected by TÜV in terms of construction, structure and the tarpaulins. In addition, the company receives external advice and supervision from Bavarian-based company inspectors, the **LGA (Landesgewerbeamt Bayern)**.

## RÖDER WORLDWIDE

- Headquarters
- RÖDER subsidiary with its own production facilities and rental warehouse
- ◆ RÖDER subsidiary with its own rental warehouse
- ▲ RÖDER Sales office
- RÖDER Partner



### GERMANY (HEADQUARTERS)

RÖDER  
Zelt- und Veranstaltungsservice GmbH  
Am Lautenstein, 63654 Büdingen  
Fon + 49 60497000  
Fax + 49 6049700339  
info@roeder.com  
www.roeder.com

1

**ALGERIA (PARTNER)**  
ASTALAVISTA SARL  
06, Rue Abd El Kader Guellati  
Cinq Maisons, El Mohammadia,  
Alger  
Fon + 213 21525738  
Fax + 213 21525737  
info@roeder.com  
www.astalavista-dz.com

2

**ARGENTINA (PARTNER)**  
Roggerone SRL,  
Av. Santa Fe 2665-1640 Martinez,  
Pcia de Buenos Aires, Argentina  
Fon + 54 1147925422  
Fax + 54 1147934113  
info@roeder.com  
www.roggerone.com

3

**AUSTRIA (SUBSIDIARY)**  
RÖDER Zelte Austria  
Gartenstraße 30a  
AT-4201 Gramstetten, Austria  
Fon + 43 7239 70024  
Fax + 43 7239 70024  
info@roeder.com  
www.roeder.com

4

**AUSTRALIA (PARTNER)**  
H-Line Structures Australia  
P.O. Box 8009, Toowoomba  
AU-4350 Queensland, Australia  
Fon + 61 754451300  
Fax + 61 754458027  
info@roeder.com  
www.hlinestructures.com.au

5

**CHILE (PARTNER)**  
Bodegajes Temporales Limitada  
Patricia Viñuela 578-C  
CL-Lampa Santiago, Chile  
Fon + 56 27385638  
Fax + 56 27385639  
info@roeder.com  
www.btcbodegajes.cl

6

**CHINA-PEKING (SUBSIDIARY)**  
RÖDER Tent Service  
(Beijing) CO., Ltd  
Rm. 311 Sanchuan Dasha  
3 Hepingli Xijie, Chaoyang Qu  
100013 BEIJING, P. R. China  
Fon + 86 10644055-71 | -72  
Fax + 86 1064405219  
info@roeder-china.com  
www.roeder-china.com

7

**CHINA-SHANGHAI (SUBSIDIARY)**  
RÖDER Tent Service  
(Shanghai) CO., Ltd  
No. 3978 Hu Qingping Road,  
Qingpu district, CN-201703  
Shanghai, China  
Fon + 86 2151099228  
Fax + 86 21398126 07  
info@roeder-china.com  
www.roeder-china.com

8

**COLOMBIA (PARTNER)**  
Bodegajes Temporales Colombia S.A.S  
Cr 7 71 Torre B floor 9  
Bogotá, Colombia  
Fon + 57 3115870731  
celeon@btcbodegajes.com.co  
www.btcbodegajes.cl

9

**CZECH REPUBLIC (PARTNER)**  
Diamant Expo  
Marie Kršňáková 119  
403 17 Chabařovice, Czech Republic  
Fon + 42 04752147934  
Fax + 42 0475214793  
info@roeder.com  
www.roeder.cz

10

**FINLAND (PARTNER)**  
Siirtohallit Oy  
Puusepäntie 11  
04360 Tuusula  
Finland  
Fon +35 8400913913  
info@roeder.com  
www.siirtohallit.fi

11

**FRANCE (SUBSIDIARY)**  
RÖDER France SARL  
ZI No. 2 - 28, Allée Monge  
FR-60 000 Beauvais, France  
Fon + 33 344028877  
Fax + 33 344053926  
info@roeder.fr  
www.roeder.com

12

**GREECE (PARTNER)**  
Con.Tent Ltd.  
Kifissias Avenue 198  
GR-15231 Halandra-Athens, Greece  
Fon + 30 2106754720  
Fax + 30 2106754722  
info@roeder.com  
www.con-tent.gr

13

**HUNGARY (SUBSIDIARY)**  
RÖDER GmbH Magyarországi  
Közvetlen Kereskedelmi, Képviselete  
Széchenyi tér 21-23 III/6  
HU-6900 Makó,  
Hungary | Magyarország  
Fon + 36 62212071  
Fax + 36 62212071  
info@roeder.com  
www.roeder.hu

14

**ITALY (SUBSIDIARY)**  
RÖDER Italia SRL  
Via Stazione 27/a  
IT-39042 Bressanone, Italy  
Fon + 39 0472830939  
Fax + 39 0472832909  
info@roeder.com  
www.roeder.com

15

**MALAYSIA (PARTNER)**  
Sebsat Malaysia Sdn Bhd  
Lot 50321, Jalan KPB 1,  
Kawasan Perindustrian Budiman  
Batu 10 3/4, 43200 Cheras, Selangor,  
Malaysia  
Fon + 60 390802640  
Fax + 60 390801640  
ceo\_sebsat@yahoo.com  
www.roeder.com

16

**MOROCCO (PARTNER)**  
Grand Chapiteau  
15, rue Oued Sebou Agdal  
1000 Rabat - Maroc  
Fon + 33 344028877  
Fon + 33 344053926  
info@roeder.fr  
www.roeder.com

17

**MEXICO (SUBSIDIARY)**  
Roeder de México S.A. de C.V.  
Mariano Escobedo # 193  
Torre Norte, Of. 1304  
Col. Anáhuac I Secc.,  
Del. Miguel Hidalgo C.P. 11320 - México D.F.  
Fon + 52 7282823845  
info@roeder.com  
www.roeder.com.mx

18

**NEW ZEALAND (PARTNER)**  
H-Line Structures  
9A Taylor Rd  
NZ-Papamoa, Bay of Plenty 3118,  
New Zealand  
Fon + 61 754451300  
Fax + 61 754458027  
info@roeder.com  
www.hlinestructures.com.au

19

**PERU (PARTNER)**  
Btp Almacenes S.A.C  
Ricardo Palma 1250  
Miraflores - Lima, Perú  
Fon + 51 948902070  
info@roeder.com  
www.btcbodegajes.cl

20

**ROMANIA (PARTNER)**  
Str. Buzesti Nr. 61, Et. 7,  
Ap. 48-49, Sector 1,  
RO-011013 Bukarest, Romania  
Fon + 40 213110011  
Fax + 40 213110011  
info@roeder.com  
www.roeder.ro

21

**RUSSIAN FEDERATION (SUBSIDIARY)**  
RÖDER OOO  
Solnechnogorskiy district,  
Village Lunevo, Garazhnaya street  
opposite No. 16  
RU-141580 Moskau, Russia  
Fon + 7 4957858157  
Fax + 7 4957858158  
roeder@roeder.ru  
www.roeder.ru

22

**SLOVENIA (PARTNER)**  
Expo Biro d.o.o.  
Miklavška cesta 57  
SL-2311 Hoce, Slovenia  
Fon + 38 624805800  
Fax + 38 62480580 20  
info@roeder.com  
www.expobiro.si

23

**SPAIN (PARTNER)**  
Foro Técnico S.L., Orient 78-84  
ES-08172 St. Cugat del Valles  
Barcelona, Spain  
Fon + 34 935441860  
Fax + 34 935441861  
info@roeder.com  
www.forotec.com

24

**SWEDEN (PARTNER)**  
One4Event AB  
Hemgatan 2  
SE-78473 Borlänge, Sweden  
Fon + 46 243794360  
Fax + 46 243794369  
info@roeder.com  
www.one4event.com

25

**SWITZERLAND (SUBSIDIARY)**  
Orgatent AG  
Gewerbe Badhus  
CH-6022 Grosswangen,  
Switzerland  
Fon + 41 419804939  
Fax + 41 419804919  
info@orgatent.ch  
www.orgatent.ch

26

**TURKEY (SUBSIDIARY)**  
RÖDER Yapi Sistemleri  
Sanayi Ticaret Ltd. Sti  
Akasya Acıbadem  
Çeçen Sokak, Kent Etabı A Kule Kat:18 D:62  
TR-34660 Üsküdar/Istanbul, Turkey  
Fon + 90 2163408910  
Fax + 90 2163408915  
info@roeder.com.tr  
www.roeder.com.tr

27

**UKRAINE (PARTNER)**  
Tent Plettac Ltd.  
Plodova Str., 1  
UA-4128 Kyiv, Ukraine  
Fon + 38 0444000461  
Fax + 38 0444222145  
info@tent-plettac.com  
www.tent-plettac.com

28

**UNITED KINGDOM (SUBSIDIARY)**  
RÖDER UK Ltd.  
Unit 16 Earith Business Park  
Meadow Drove, Earith,  
Cambridgeshire  
GB-PE28 3QF, United Kingdom  
Fon + 44 1487840840  
Fax + 44 1487840843  
sales@roederuk.com  
www.roederuk.com

29

**USA (PARTNER)**  
Anchor Industries Inc.  
1100 Burch Dr., P.O. Box 3477 Evansville,  
Indiana 47733, USA  
Fon + 1 8128672421  
Fax + 1 8128670547  
info@roeder.com  
www.anchorinc.com

30



---

**RÖDER ZELT- UND VERANSTALTUNGSSERVICE GMBH  
AM LAUTENSTEIN, 63654 BÜDINGEN (GERMANY)**

**FON +49 6049 700 0  
FAX +49 6049 700 339**

**INFO@RODER.COM  
WWW.RODER.COM**



Mistakes, image errors, price alterations, technical modifications  
and dimension discrepancies reserved.